



assembly manual

**ANÆ** tree grate model Tua

tree grate height: 4cm

**ANÆ** streetfurniture  
Het Rondeel 17  
6219 PG Maastricht  
t +31 (0)433 255 145  
e info@ANÆ.eu  
i www.ANÆ.eu

30-03-2017

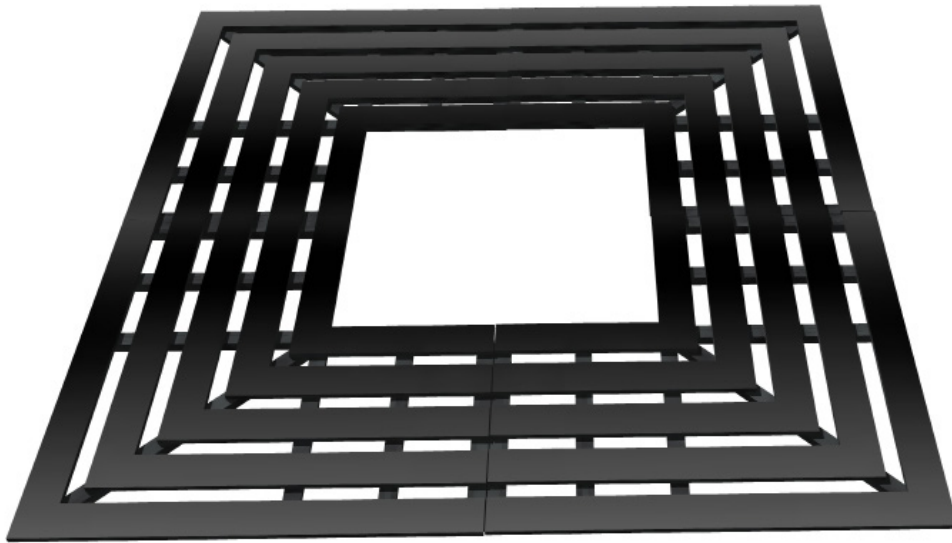
# index

product picture	3
regulation	4
tree grate with light frame	5
tree grate with heavy frame	6
section with frames	7
assembly steps	8
assembly frames	10
assembly tree grate	11

product picture

**ANÆ** tree grate model Tua

tree grate height: 4cm



regulation ⚠

## ANÆ tree grate model Tua

tree grate height: 4cm

Installation and maintenance may be only performed with original components.

The national and international rules must be used. ANÆ Streetfurniture is not responsible for damage caused by improper use. Installation has to be done by qualified personnel.

Tree grates may only be used for prescribed purpose.

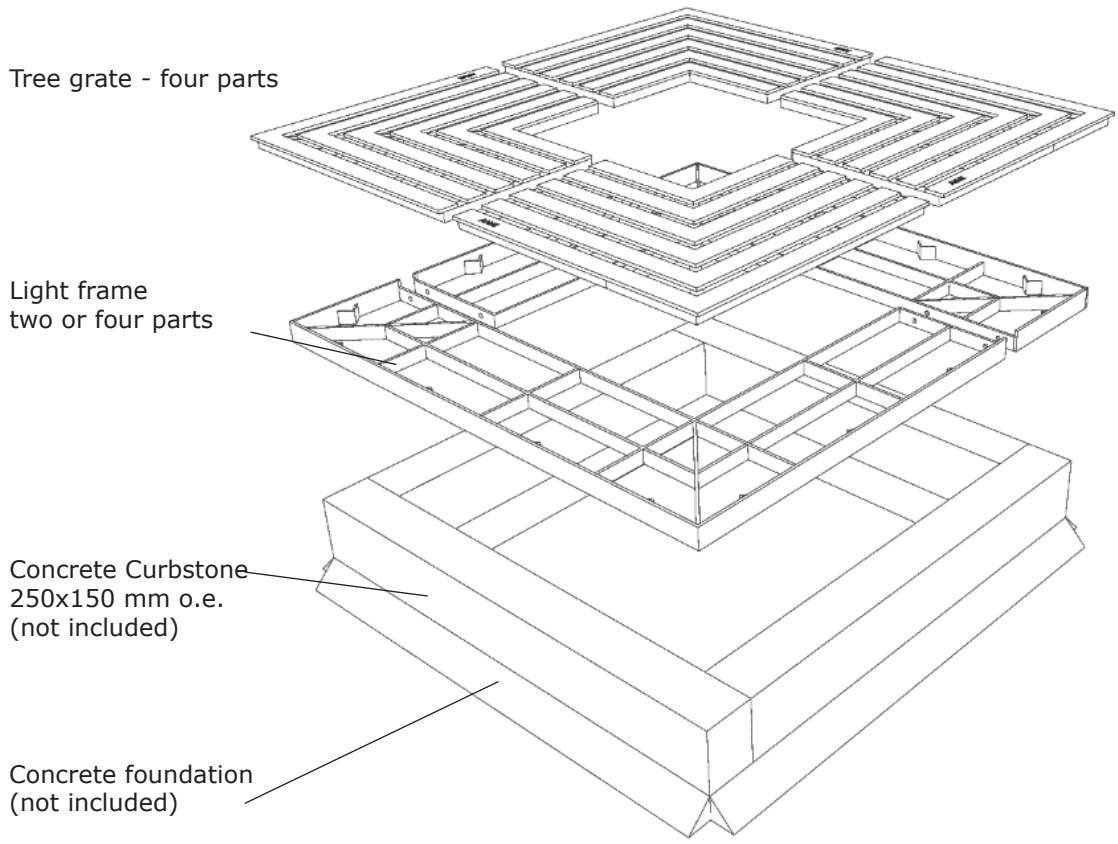
Vehicle pressure may not be applied to the treegrates before completion of assembly protocol.

When, using M12 sets, the surface of the grates is not level across the segments after placement M10 sets need to be applied. ANÆ can supply these sets.

The images in this document are indicative for the model. Some discrepancies between image and product may occur with different model and sizes.



tree grate with light frame  
**ANÆ** tree grate model Tua  
 tree grate height: 4cm



**Pic. 1**

**Attention:**

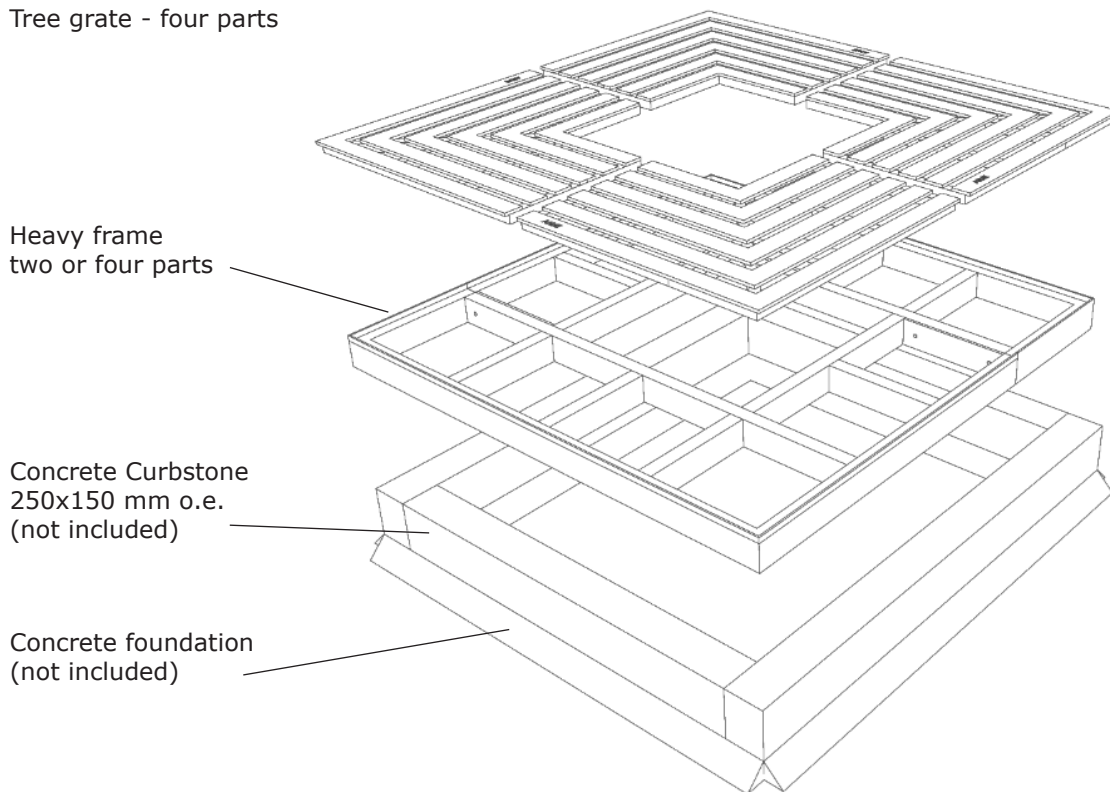
With grates larger than 2 meters support tiles need to be applied around the opening in the grate.  
 Only by properly installing the system, a traffic class B for cars according to NEN-EN 1991-2: 2003 has been achieved.

## tree grate with heavy frame

### ANÆ tree grate model Tua

tree grate height: 4cm

Tree grate - four parts

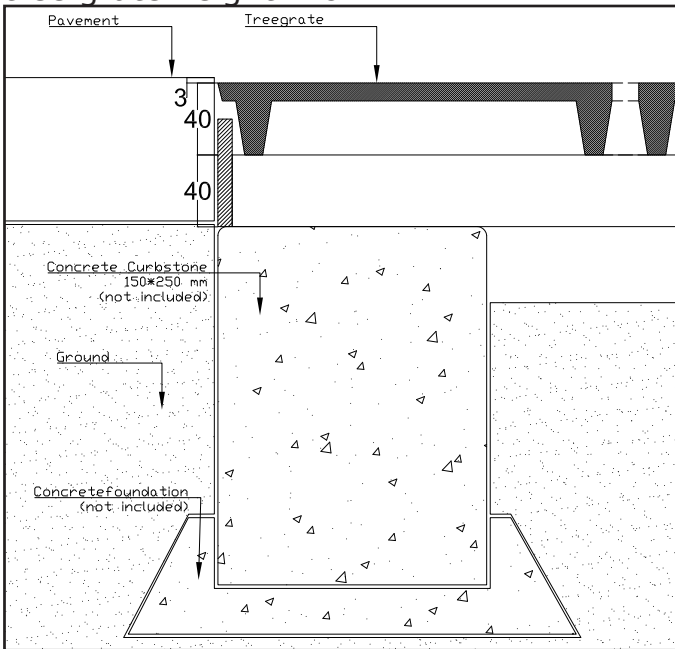


**Pic. 2**

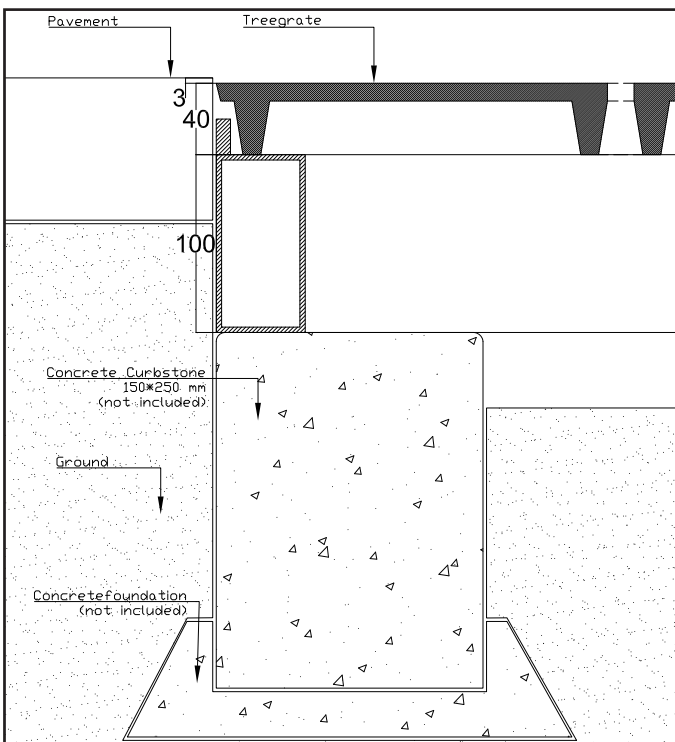
**Attention:**

With grates larger than 2 meters support tiles need to be applied around the opening in the grate.  
 Only by properly installing the system, a traffic class C for trucks according to NEN-EN 1991-2: 2003 has been achieved.

sections with frames  
**ANÆ** tree grate model Tua  
 tree grate height: 4cm



**Pic. 3**  
**Light frame**



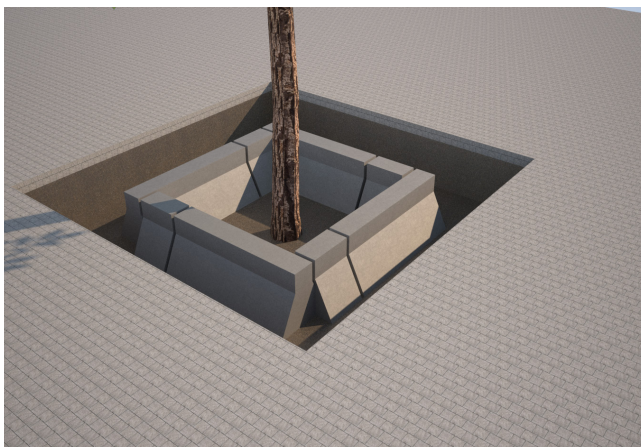
**Pic. 4**  
**Heavy frame**

**ANÆ** streetfurniture  
 Het Rondeel 17  
 6219 PG Maastricht  
 t +31 (0)433 255 145  
 e info@ANÆ.eu  
 i www.ANÆ.eu

## assembly steps

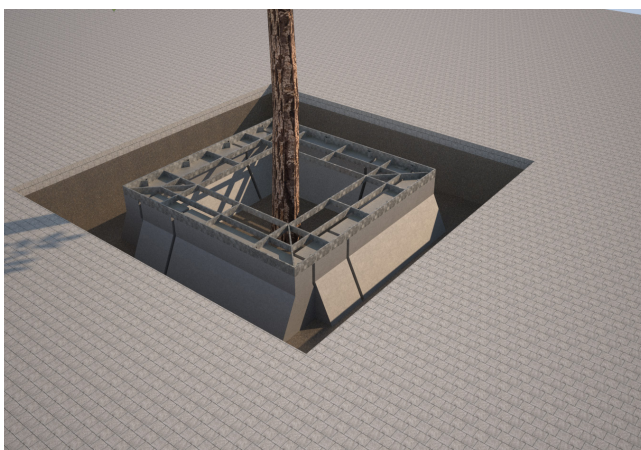
### ANÆ tree grate model Tua

tree grate height: 4cm



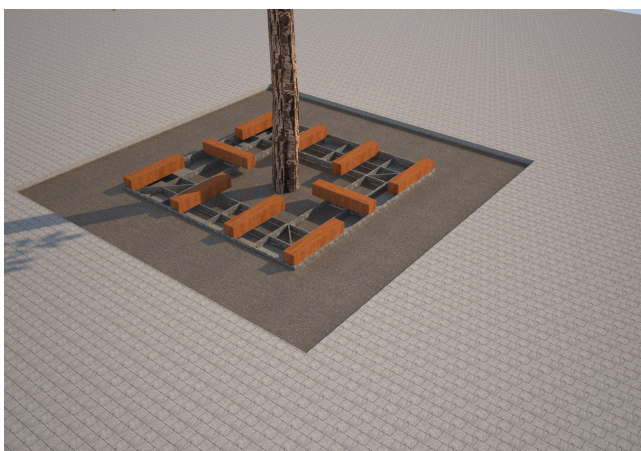
**Place Foundation**  
Curbstones of 250x150x1000 or similar (not included) all around. Where necessary provide gaps for roots. After checking that the curbstones are level set them in concrete.

**pic. 5**  
**Foundation**



**Place frame**  
Place the ANÆ light or heavy frame on the curbstones. Pay attention to the total height! See sections.

**pic. 6**  
**Frame**



**Temporary wooden beams**  
To be able to place and assemble the tree-grate based on manpower alone we suggest placing wooden beams on the frame. These beams allow access to the connection holes of the grate's segments. Attention! the beams need to be placed inside of the raised strip of the frame.

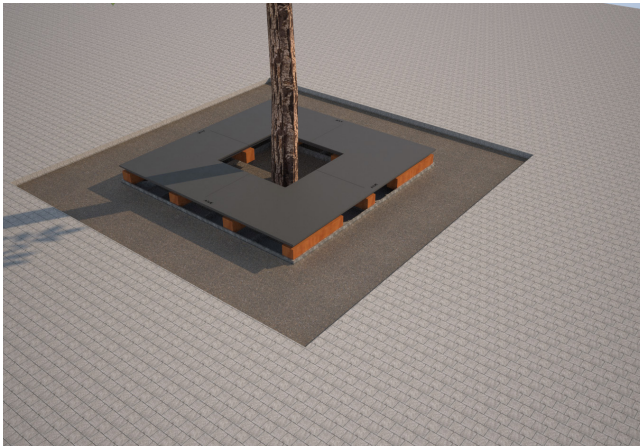
**pic. 7**  
**Temporary beams**



## assembly steps

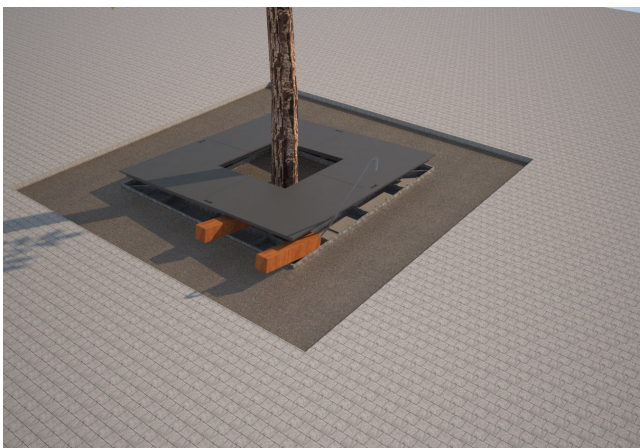
### ANÆ tree grate model Tua

tree grate height: 4cm



**Place Tree-grate**  
Place the grate segments on top of the wooden beams and interconnect them.

**pic. 8**  
**Tree-grate on wooden beams**



**Remove beams**  
By using a crowbar, or something similar, lift the interconnected grate segments so that you can remove the beams from underneath the grate.

**pic. 9**  
**Placing the grate**



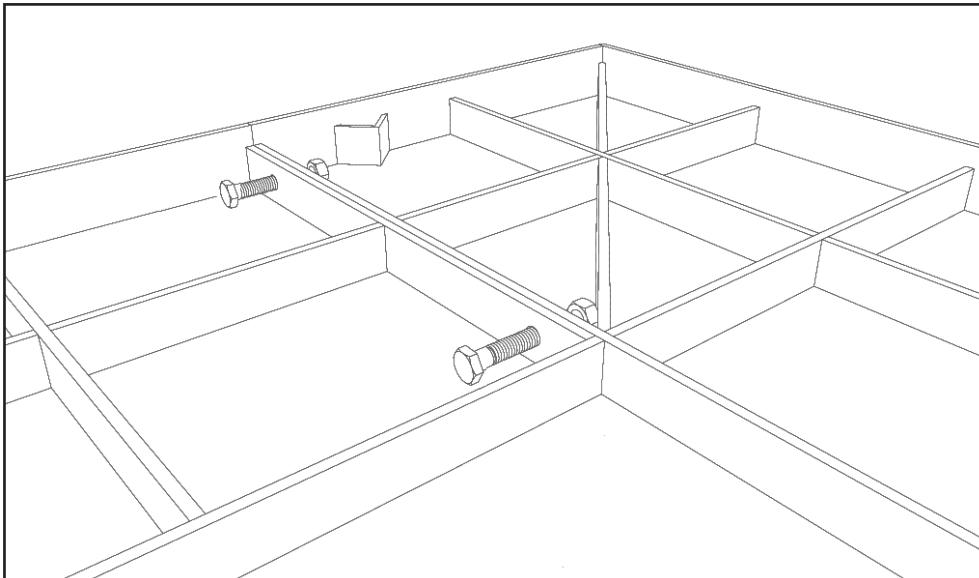
**Finish pavement**  
Check to make sure the grate lays inside the raised strips of the frame. If so finish placing the pavement.

**pic. 10**  
**Result**

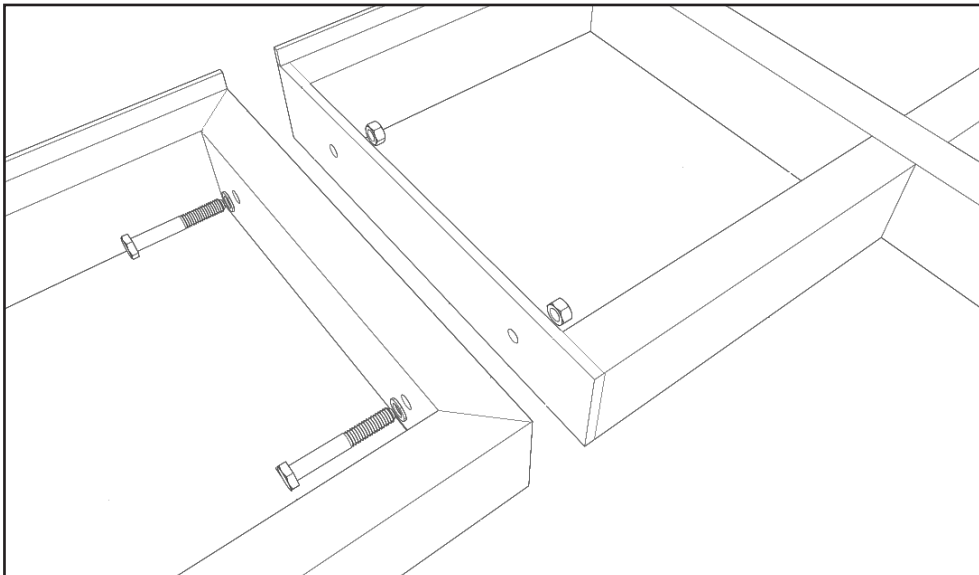
assembly frames

**ANÆ** tree grate model Tua

tree grate height: 4cm



**Pic. 5** Light Frame  
Bolts DIN933 M12  
Rings DIN125  
Nuts DIN985 M12



**Pic. 6** Heavy Frame  
Bolts DIN933 M12  
Rings DIN125  
Nuts DIN985 M12

**ANÆ** streetfurniture

Het Rondeel 17

6219 PG Maastricht

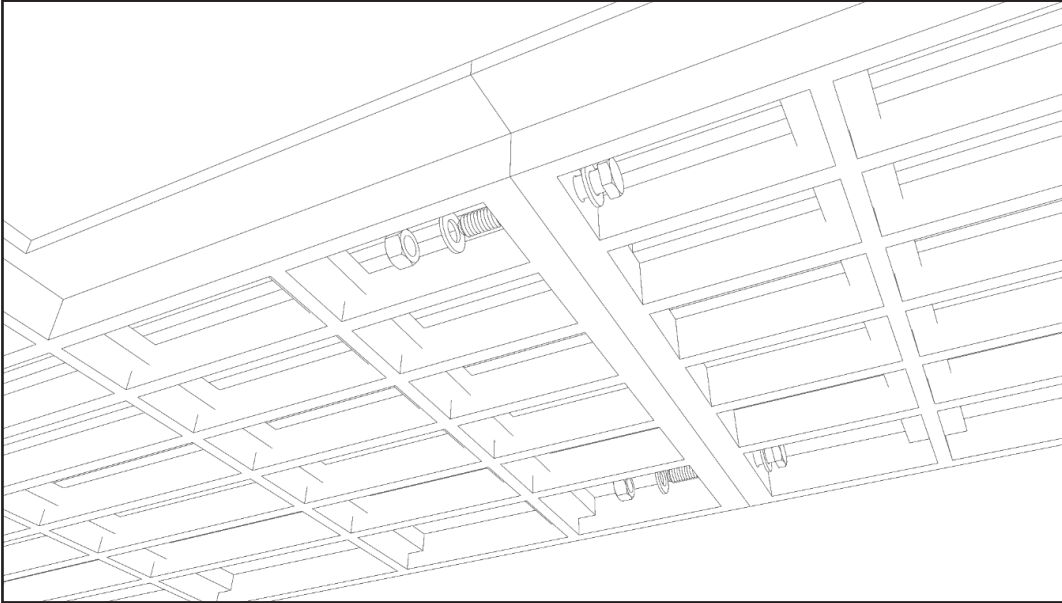
t +31 (0)433 255 145

e info@ANÆ.eu

i www.ANÆ.eu

30-03-2017

assembly tree grate  
**ANÆ** tree grate model Tua  
tree grate height: 4cm



**Pic. 7**

Bolts DIN933 M12  
Rings DIN125  
Nuts DIN985 M12