

productinfo

ANÆ tree grate model Elbe

05-08-2016

ANÆ

ANÆ streetfurniture
Het Rondeel 17
6219 PG Maastricht
t +31 (0)433 255 145
e info@ANAE.eu
i www.ANAE.eu



index

ANÆ tree grate model Elbe

product picture	3
project picture	4
measurements tree grates	5
tree protection	7

ANÆ streetfurniture
Het Rondeel 17
6219 PG Maastricht
t +31 (0)433 255 145
e info@ANÆ.eu
i www.ANÆ.eu

product picture

ANÆ tree grate model Elbe



ANÆ streetfurniture
Het Rondeel 17
6219 PG Maastricht
t +31 (0)433 255 145
e info@ANÆ.eu
i www.ANÆ.eu

project picture

ANÆ tree grate model Elbe



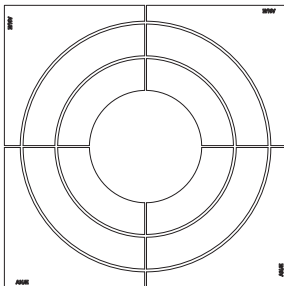
ANÆ streetfurniture
Het Rondeel 17
6219 PG Maastricht
t +31 (0)433 255 145
e info@ANÆ.eu
i www.ANÆ.eu

productinfo

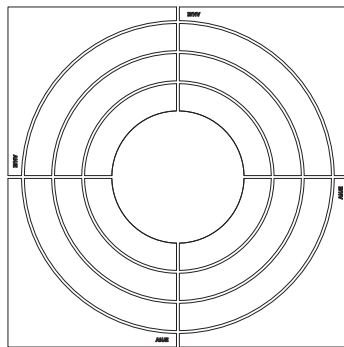
ANÆ Tree grate model Elbe

tree grates

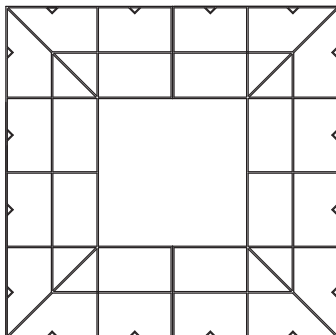
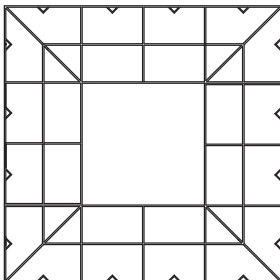
c027-150/60



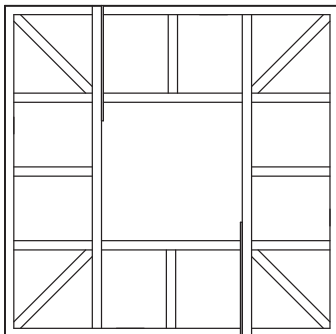
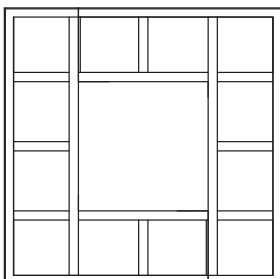
c027-180/70



light frames



heavy frames



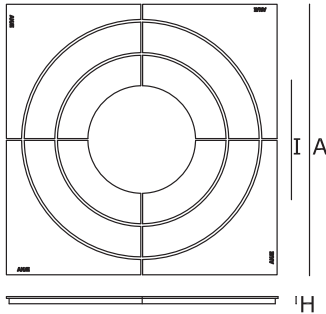
ANÆ streetfurniture
 Het Rondeel 17
 6219 PG Maastricht
 t +31 (0)433 255 145
 e info@ANÆ.eu
 i www.ANÆ.eu

productinfo

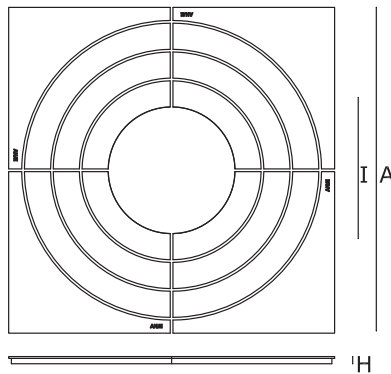
ANÆ Tree grate model Elbe

measurements tree grates

c027-150/60



c027-180/70



Model	Exterior (A)	Interior (I)	Height (H)
c027-150/60	1500mm	600mm	40mm
c027-180/70	1800mm	700mm	40mm

ANÆ streetfurniture
Het Rondeel 17
6219 PG Maastricht
t +31 (0)433 255 145
e info@ANAE.eu
i www.ANAE.eu

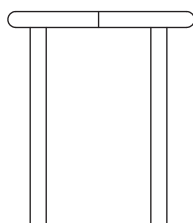
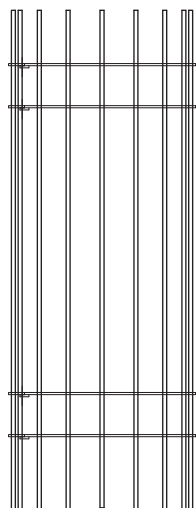
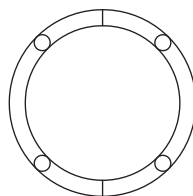
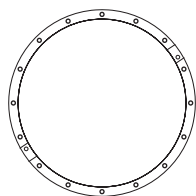
productinfo

ANÆ Tree grate model Elbe

tree protection

Lune

Cinca



This is just a selection. Please contact us to get informed about the products.

ANÆ streetfurniture
 Het Rondeel 17
 6219 PG Maastricht
 t +31 (0)433 255 145
 e info@ANÆ.eu
 i www.ANÆ.eu