

productinfo

ANÆ tree grate model Hunte

15-07-2016

ANÆ

ANÆ streetfurniture
Het Rondeel 17
6219 PG Maastricht
t +31 (0)433 255 145
e info@ANAE.eu
i www.ANAE.eu



index

ANÆ tree grate model Hunte

product picture	3
project picture	4
product information	5
measurements tree grates	6
tree protection	7

ANÆ streetfurniture
Het Rondeel 17
6219 PG Maastricht
t +31 (0)433 255 145
e info@ANÆ.eu
i www.ANÆ.eu

product picture

ANÆ tree grate model Hunte



ANÆ streetfurniture
Het Rondeel 17
6219 PG Maastricht
t +31 (0)433 255 145
e info@ANÆ.eu
i www.ANÆ.eu

project picture

ANAÆ tree grate model Hunte

ANAÆ streetfurniture
Het Rondeel 17
6219 PG Maastricht
t +31 (0)433 255 145
e info@ANAÆ.eu
i www.ANAÆ.eu

productinfo

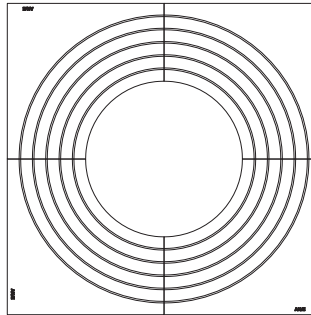
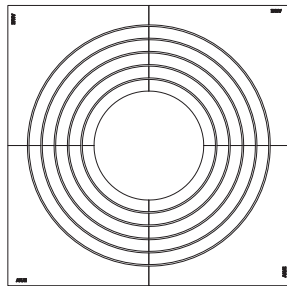
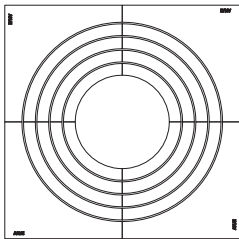
ANÆ Tree grate model Hunte

tree grates

c057-150/60

c057-180/70

c057-200/100



light frames not required

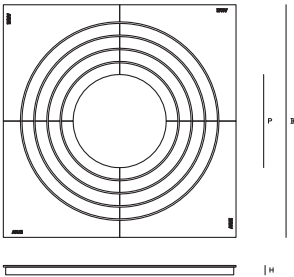
heavy frames not required

productinfo

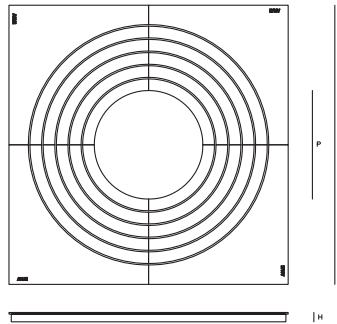
ANÆ Tree grate model Hunte

measurements tree grates

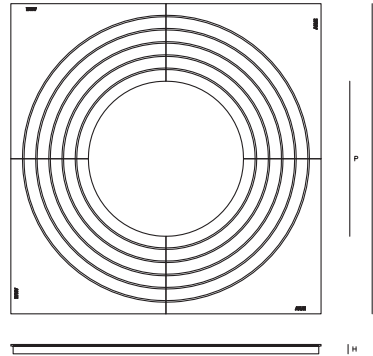
c057-150/60



c057-180/70



c057-200/100



Model	Exterior (E)	Interior (I)	Height (H)
c057-150/60	1500mm	600mm	60mm
c057-180/70	1800mm	700mm	60mm
c057-200/100	2000mm	1000mm	60mm

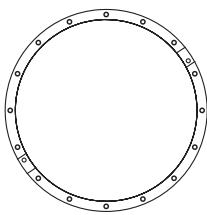
ANÆ streetfurniture
Het Rondeel 17
6219 PG Maastricht
t +31 (0)433 255 145
e info@ANAE.eu
i www.ANAE.eu

productinfo

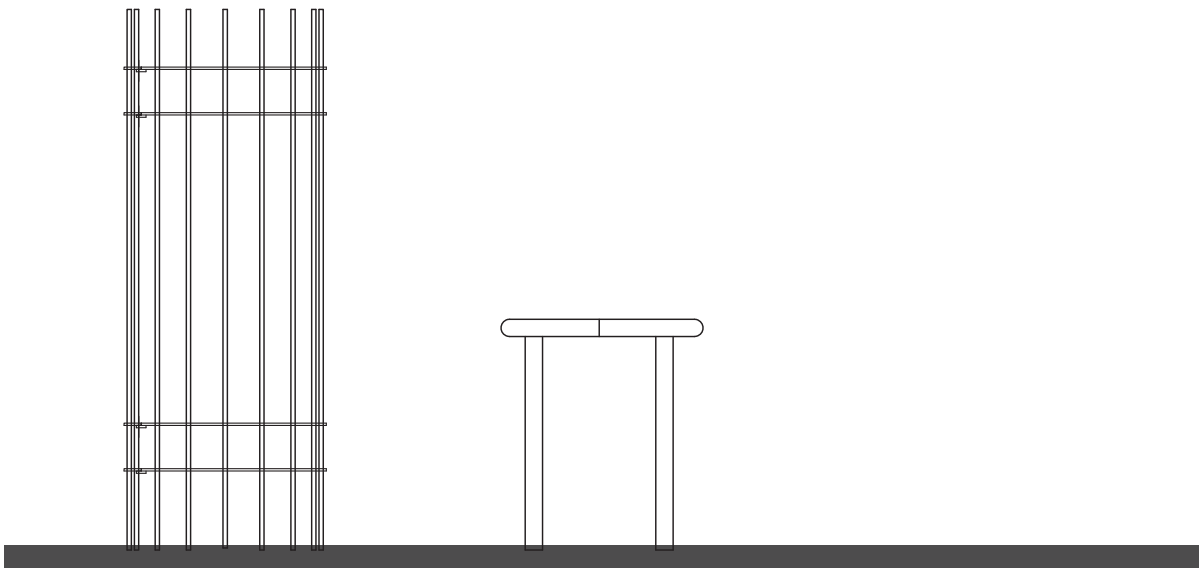
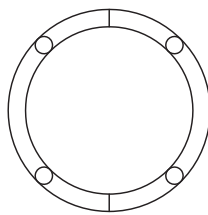
ANÆ Tree grate model Hunte

tree protection

Lune



Cinca



This is just a selection. Please contact us to get informed about the products.

ANÆ streetfurniture
 Het Rondeel 17
 6219 PG Maastricht
 t +31 (0)433 255 145
 e info@ANÆ.eu
 i www.ANÆ.eu