

productinfo

# ANÆ tree grate model Samber

15-07-2016

ANÆ

**ANÆ** streetfurniture  
Het Rondeel 17  
6219 PG Maastricht  
t +31 (0)433 255 145  
e [info@ANAE.eu](mailto:info@ANAE.eu)  
i [www.ANAE.eu](http://www.ANAE.eu)

## index

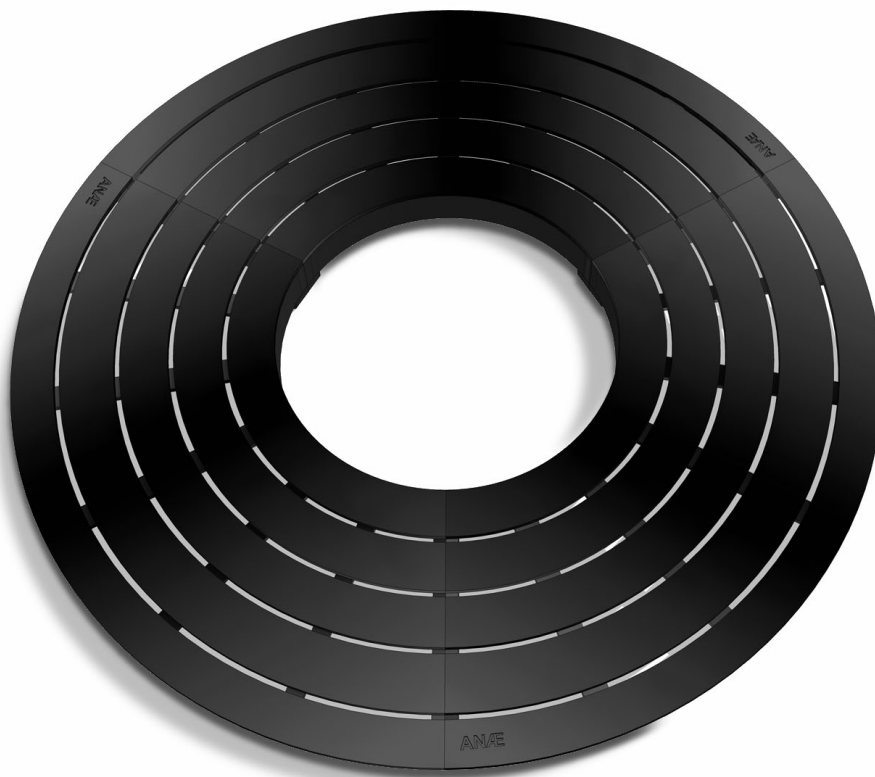
# ANÆ tree grate model Samber

product picture	3
project picture	4
measurements tree grates	5
tree protection	8



product picture

**ANÆ** tree grate model Samber



**ANÆ** streetfurniture  
Het Rondeel 17  
6219 PG Maastricht  
t +31 (0)433 255 145  
e info@ANÆ.eu  
i www.ANÆ.eu

project picture

## ANÆ tree grate model Samber



**ANÆ** streetfurniture  
Het Rondeel 17  
6219 PG Maastricht  
t +31 (0)433 255 145  
e info@ANÆ.eu  
i www.ANÆ.eu

productinfo

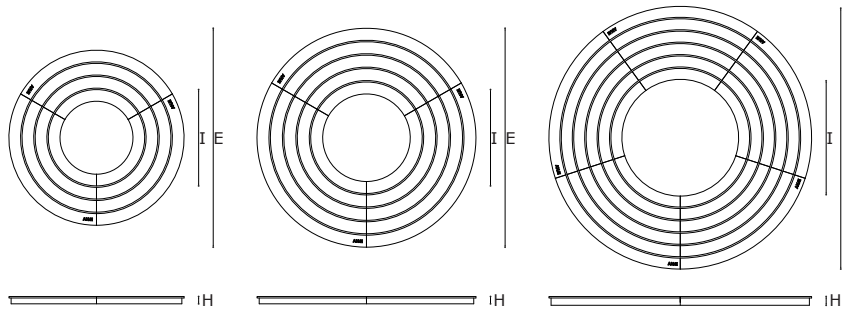
**ANÆ** Tree grate model Samber

tree grates

c060-120/50

c060-150/60

c060-180/70



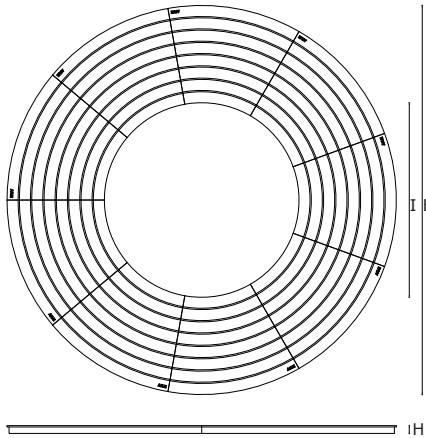
light frames not required

heavy frames not required

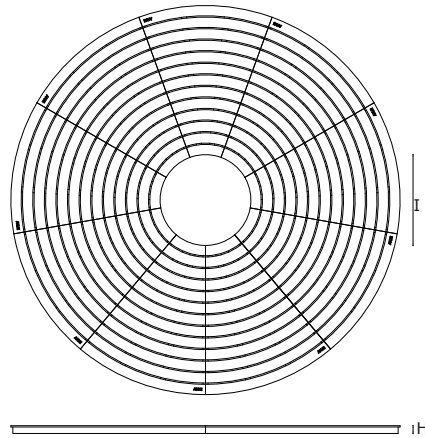
productinfo

**ANÆ** Tree grate model Samber  
tree grates

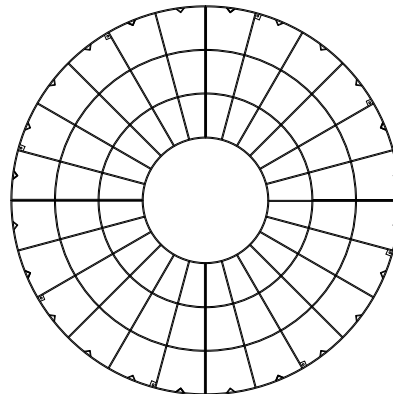
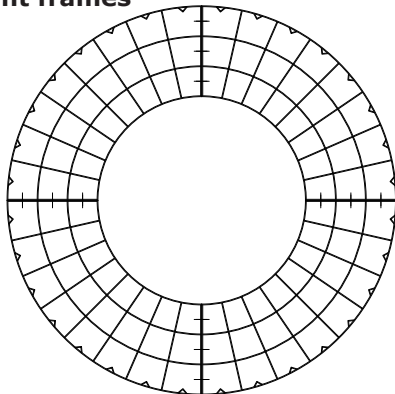
c060-300/150



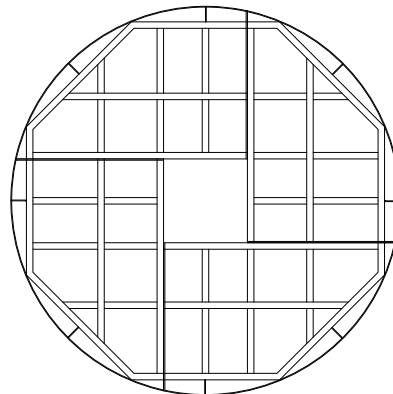
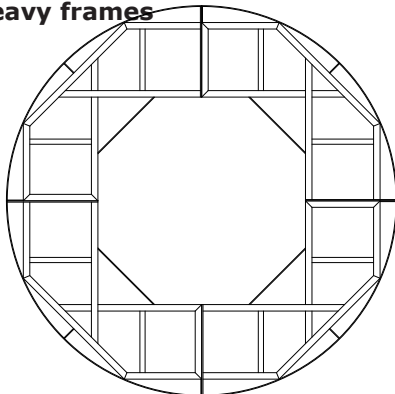
c060-300/70



**light frames**



**heavy frames**



**ANÆ** streetfurniture  
 Het Rondeel 17  
 6219 PG Maastricht  
 t +31 (0)433 255 145  
 e info@ANÆ.eu  
 i www.ANÆ.eu

## productinfo

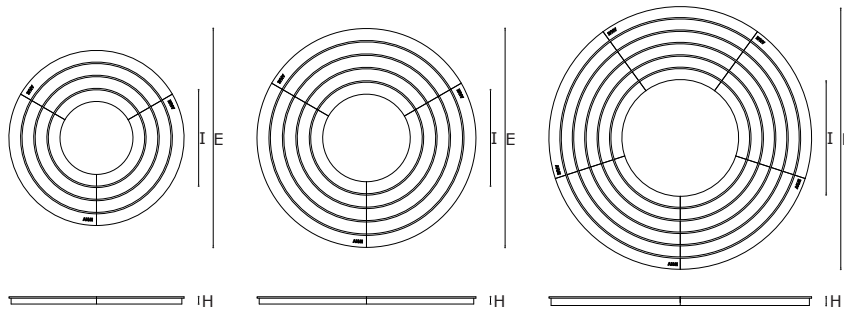
### ANÆ Tree grate model Samber

#### measurements tree grates

c060-120/50

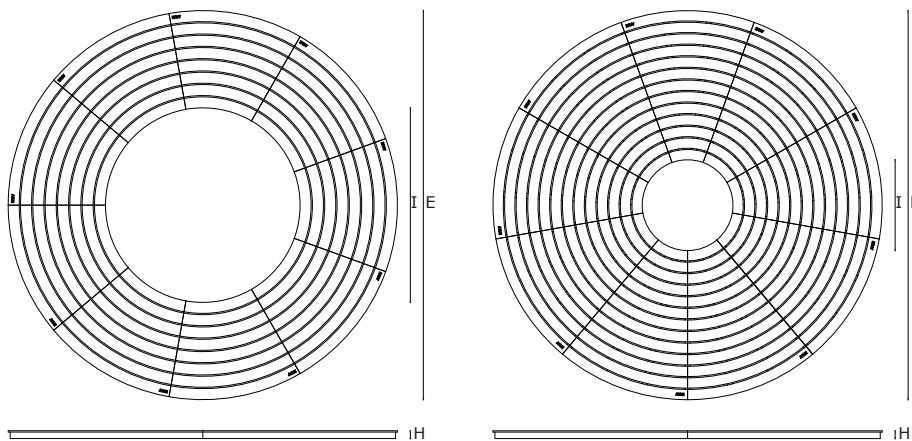
c060-150/60

c060-180/70



c060-300/150

c060-300/70



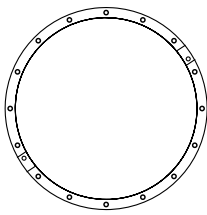
Model	Exterior (E)	Interior (I)	Height (H)
c060-120/50	1200mm	500mm	60mm
c060-150/60	1500mm	600mm	60mm
c060-180/70	1800mm	700mm	60mm
c060-300/150	3000mm	1500mm	60mm
c060-300/70	3000mm	700mm	60mm

productinfo

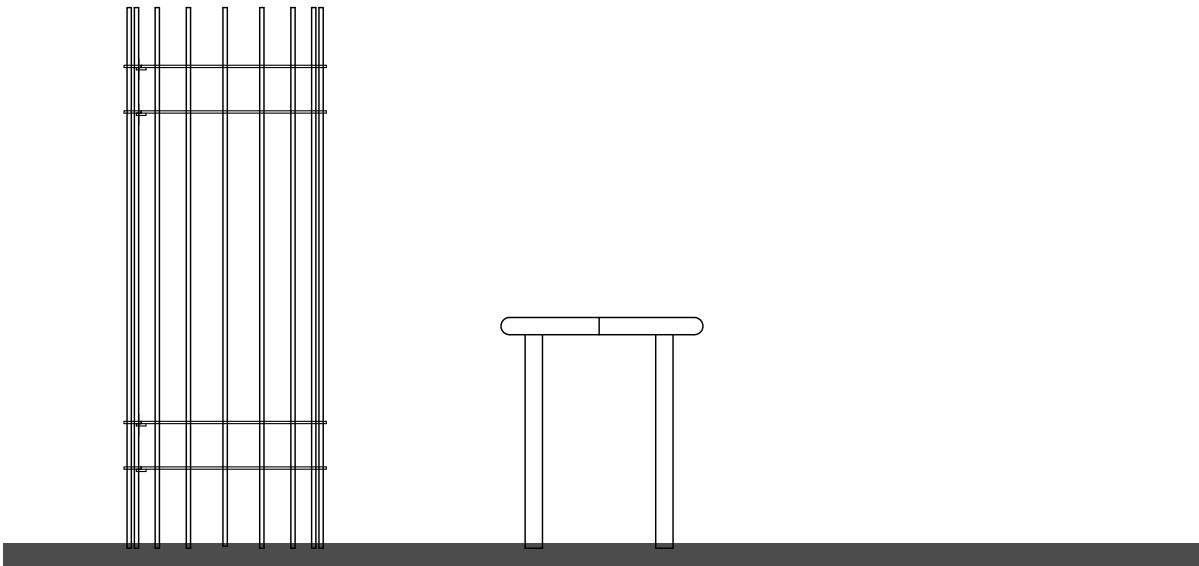
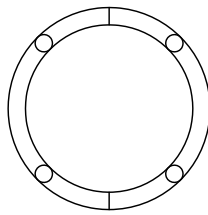
**ANÆ** Tree grate model Samber

tree protection

Lune



Cinca



This is just a selection. Please contact us to get informed about the products.

**ANÆ** streetfurniture  
 Het Rondeel 17  
 6219 PG Maastricht  
 t +31 (0)433 255 145  
 e info@ANÆ.eu  
 i www.ANÆ.eu