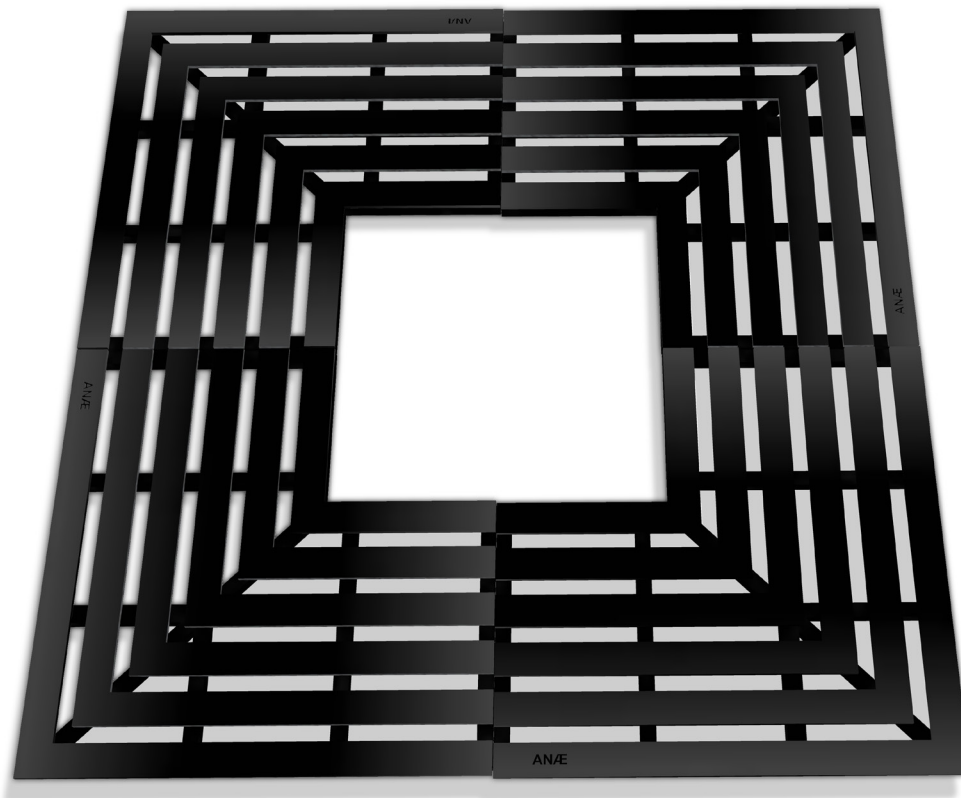


# Assembly manual

## Tree grate model Tua

### Index

Regulation	2
Light Frame	3
Heavy Frame	5
Section	7
Assembly frame	9
Assembly tree grate	11



# Assembly manual

## Tree grate model Tua



### Regulation

Installation and maintenance may be only performed with original components.

The national and international rules must be used. ANAE Streetfurniture is not responsible for damage caused by improper use. Installation has to be done by qualified personnel.

Tree grates may only be used for prescribed purpose.

Vehicle pressure may not be applied to the treegrates before completion of assembly protocol.

When, using M12 sets, the surface of the grates is not level across the segments after placement M10 sets need to be applied. ANAE can supply these sets.

The images in this document are indicative for the model. Some discrepancies between image and product may occur with different sizes.

# Assembly manual

## Tree grate model Tua

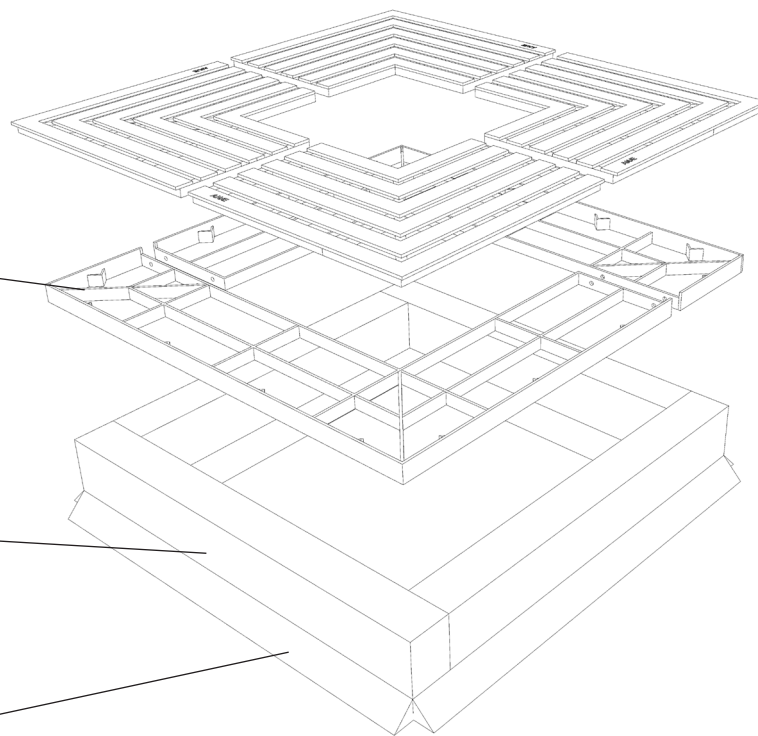
with light frame

Tree grate - four parts

Light frame  
two or four parts

Concrete Curbstone  
250x150 mm o.e.  
(not included)

Concrete foundation  
(not included)



**Pic. 1**

### Attention:

With grates larger than 2 meters support tiles need to be applied around the opening in the grate.  
Only by properly installing the system, a traffic class B for cars according to NEN-EN 1991-2: 2003 has been achieved.



# Assembly manual

## Tree grate model Tua

with heavy frame

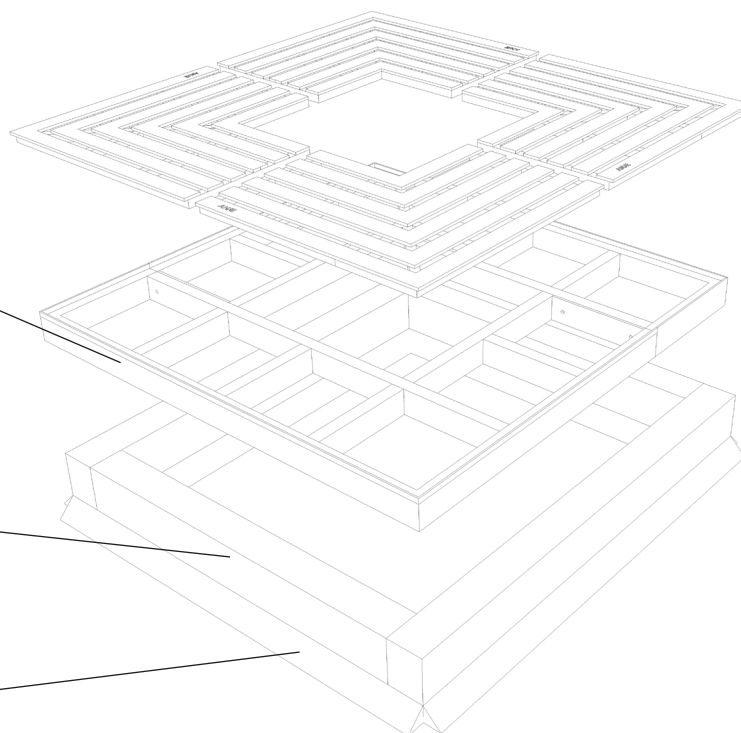
Tree grate - four parts



Heavy frame  
two or four parts

Concrete Curbstone  
250x150 mm o.e.  
(not included)

Concrete foundation  
(not included)



**Pic. 2**

### Attention:

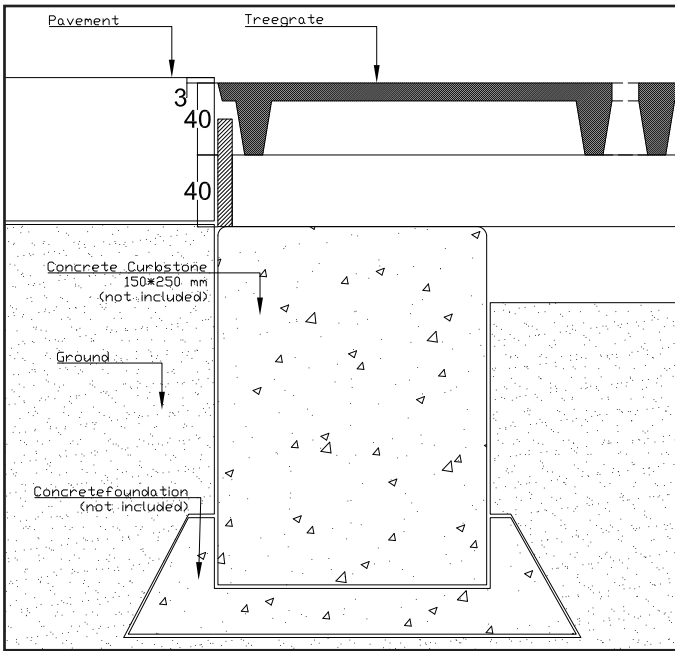
With grates larger than 2 meters support tiles need to be applied around the opening in the grate.  
Only by properly installing the system, a traffic class C for trucks according to NEN-EN 1991-2: 2003 has been achieved.



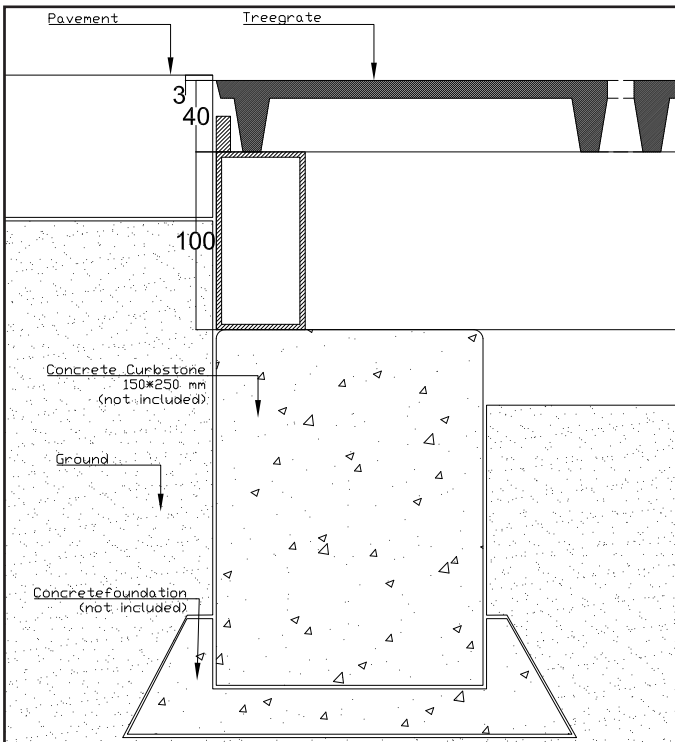
# Assembly manual

## Tree grate model Tua

Section



**Pic. 3**  
**Light frame**



**Pic. 4**  
**Heavy frame**

[ANÆ Streetfurniture>Products>Tree grates> ANÆ Tree grate model Tua](#)

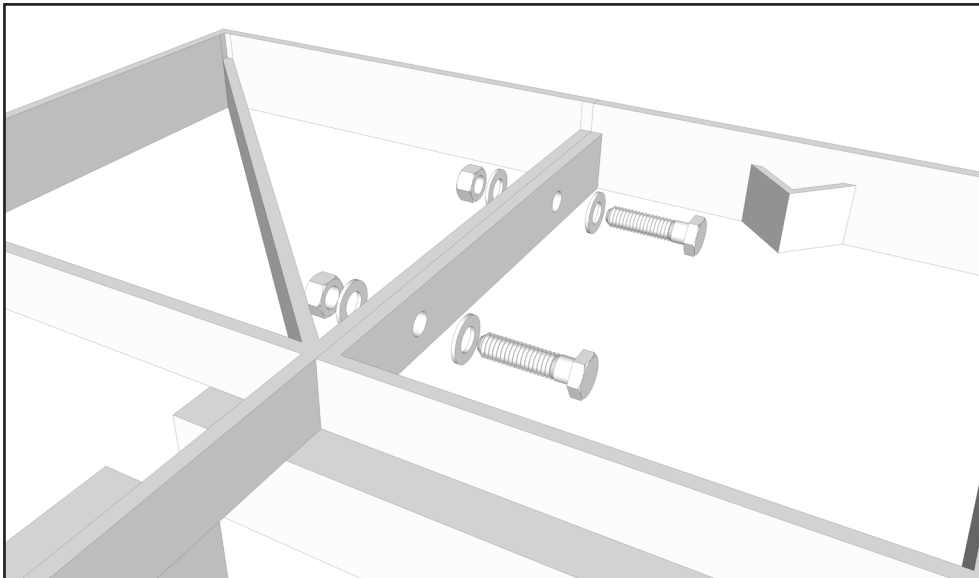




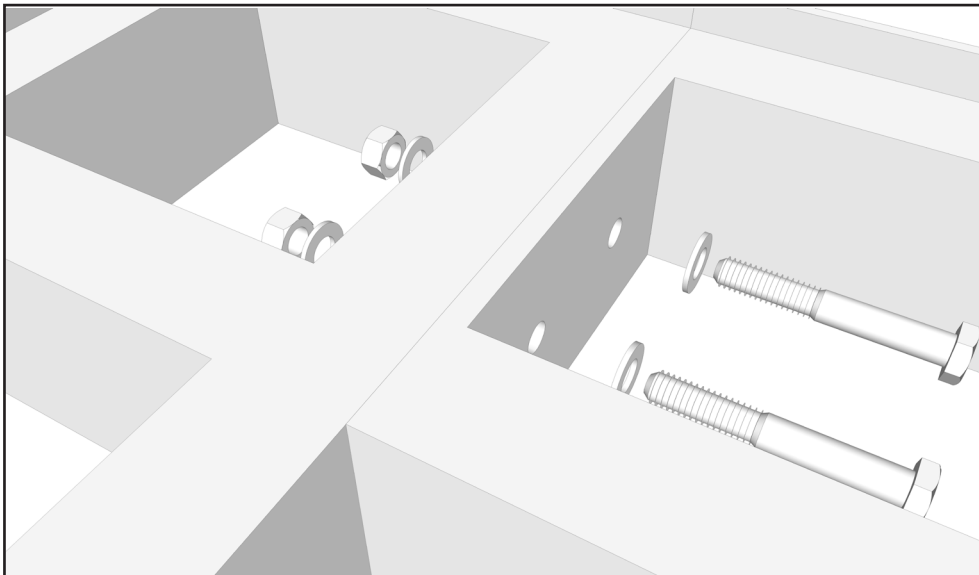
# Assembly manual

## Tree grate model Tua

Assembly frame



**Pic. 5**      **Light Frame**  
**4 Bolts DIN933 M12**  
**8 Rings DIN125**  
**4 Nuts DIN985 M12**



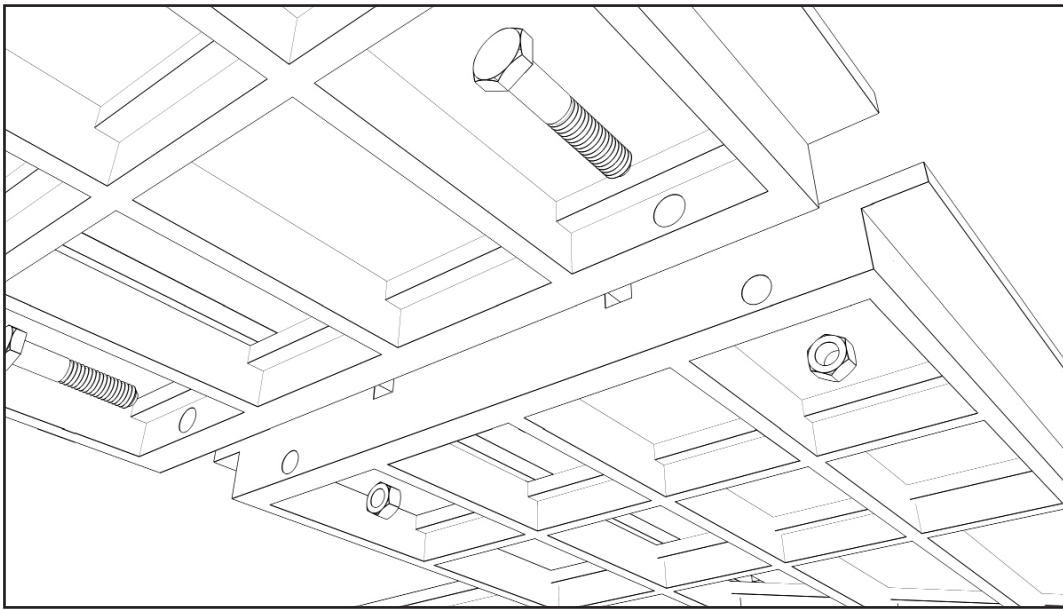
**Pic. 6**      **Heavy Frame**  
**4 Bolts DIN933 M12**  
**8 Rings DIN125**  
**4 Nuts DIN985 M12**



# Assembly manual

## Tree grate model Tua

Assemby tree grate



**Pic. 7**

**Tree grate model xxx**  
**4 Bolts DIN933 M12**  
**8 Rings DIN125**  
**4 Nuts DIN985 M12**

**ANÆ**

Streetfurniture