

productinfo

ANÆ tree grate model Vida

29-06-2018



ANÆ streetfurniture
Het Rondeel 17
6219 PG Maastricht
t +31 (0)433 255 145
e info@ANAE.eu
i www.ANAE.eu



index

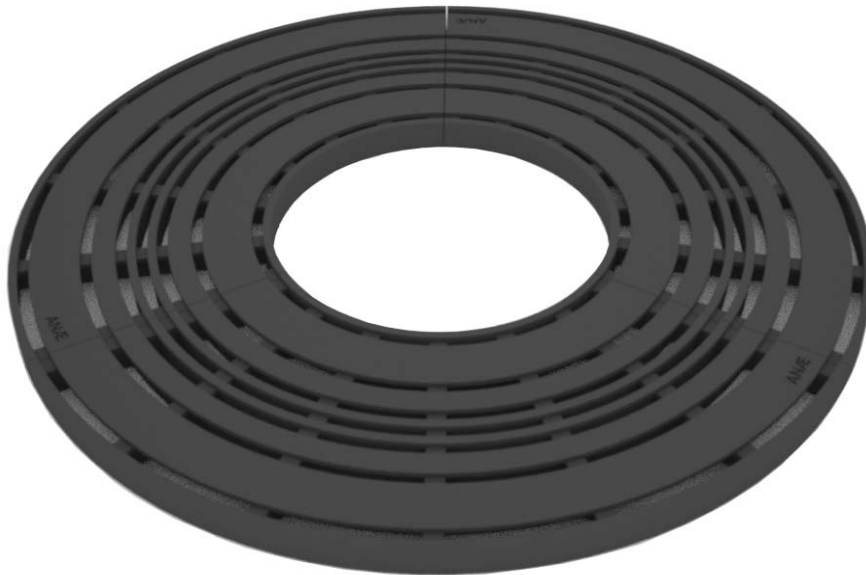
ANÆ tree grate model Vida

product picture	3
project picture	4
measurements tree grates	6
tree protection	7

ANÆ streetfurniture
Het Rondeel 17
6219 PG Maastricht
t +31 (0)433 255 145
e info@ANÆ.eu
i www.ANÆ.eu

product picture

ANÆ tree grate model Vida



ANÆ streetfurniture
Het Rondeel 17
6219 PG Maastricht
t +31 (0)433 255 145
e info@ANÆ.eu
i www.ANÆ.eu

project picture

ANÆ tree grate model Vida

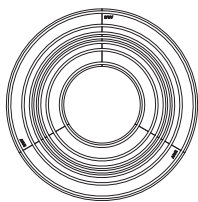
ANÆ streetfurniture
Het Rondeel 17
6219 PG Maastricht
t +31 (0)433 255 145
e info@ANÆ.eu
i www.ANÆ.eu

productinfo

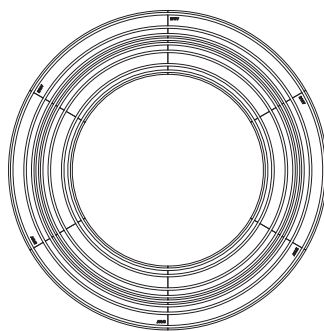
ANÆ Tree grate model Vida

tree grates

c016-150/60-c



c016-250/150-c



light frames n.a.

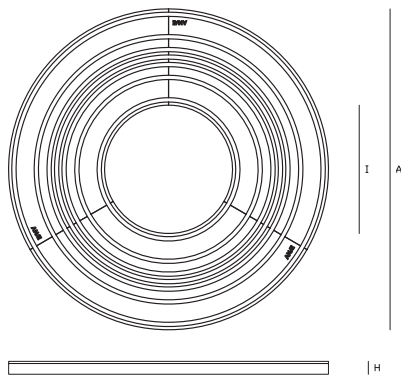
heavy frames n.a.

productinfo

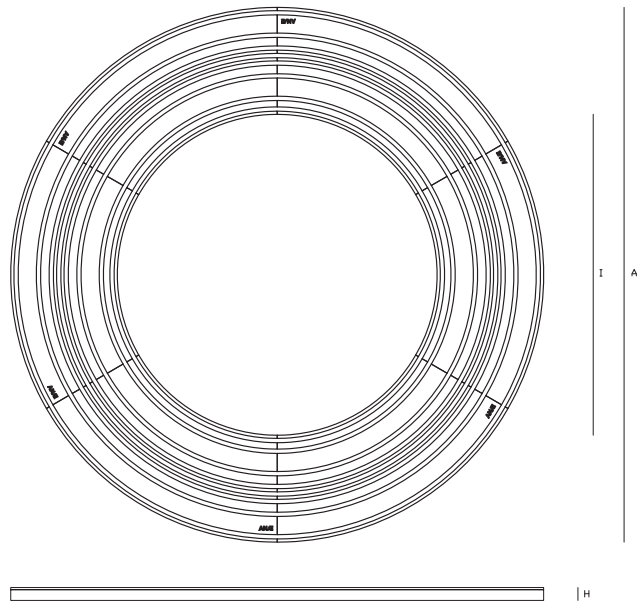
ANÆ Tree grate model Vida

measurements tree grates

c016-150/60-c



c016-250/150-c



Model	Exterior (A)	Interior (I)	Height (H)
c016-150/60-c	1500mm	600mm	60mm
c016-250/150-c	2500mm	1500mm	60mm

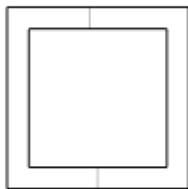
ANÆ streetfurniture
Het Rondeel 17
6219 PG Maastricht
t +31 (0)433 255 145
e info@ANAE.eu
i www.ANAE.eu

productinfo

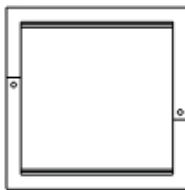
ANÆ Tree grate model Vida

tree protection

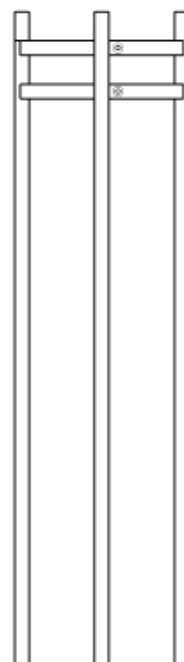
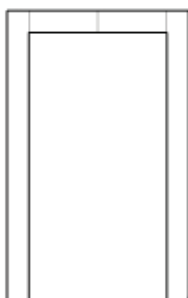
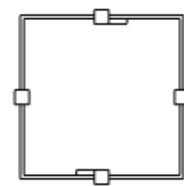
Alster



Olza



Kama



This is just a selection. Please contact us to get informed about the products.

ANÆ streetfurniture
 Het Rondeel 17
 6219 PG Maastricht
 t +31 (0)433 255 145
 e info@ANÆ.eu
 i www.ANÆ.eu